



BOWELL BCRM VERGE FLAIL MOWER

For Medium Tractors With CAT I. & II. 3-Point-Hitch



- + With hydraulic swivel arm
- + Up to a grass height of approx. 75 cm
- + 135 / 155 / 175 cm working width
- + For 30 - 65 HP tractor



BOWELL BCRM FOR MEDIUM TRACTORS

Middle duty verge mower for medium tractors with 30 hp to 65 hp with CAT I. 3-point hitch.



€ ab 1.998

Hydraulic swivel arm

24 months
Warranty
12 months for commercial customers



The Bowell BCRM-embankment flail mowers complies with all safety regulations and is CE tested following the 2006/42/EC machine directive.

Working widths of 135 / 155 / 175 cm

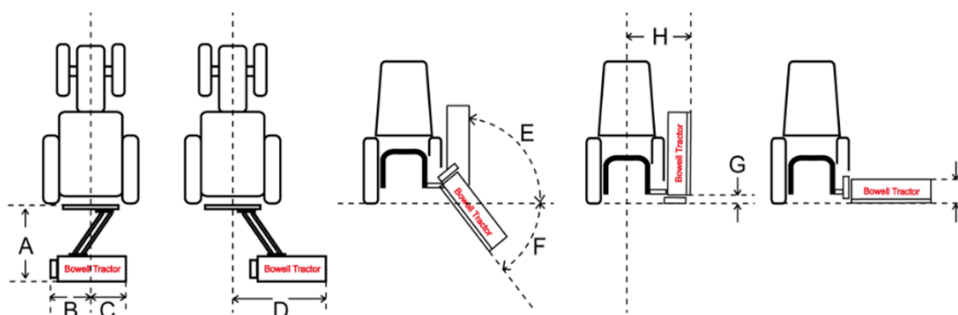
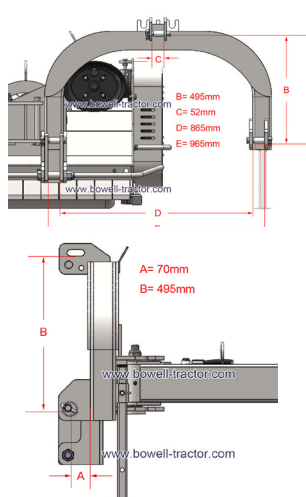
The Bowell BCRM verge mower series is perfect for maintaining fields, orchards, wine yards and horse paddocks. With available working widths of up to 15 cm, BCRM-mowers will help you to find a perfect match for your tractor and the job you need to do.

- 1 SKF ball bearing mounted rotor shaft.
- 2 Reinforced Cat-1 3-point hitch and optional Cat-2 bushings for medium tractors.
- 3 Perfectly placed counter knives for optimal shredding results.
- 4 Crash protection device for more safety.
- 5 2 L transmission gear oil included.
- 6 Easy testing of belt tension.



Technical Specifications Bowell BCRM Verge Mower

DATA	BCRM-135	BCRM-155	BCRM-175
Dimension (LxWxH)	1583 x 940 x 610 mm	1783 x 940 x 610 mm	1983 x 940 x 610 mm
Total weight incl. PTO shaft	417 kg	432 kg	449 kg
Working width	1350 mm	1550 mm	1750 mm
Adjustable mowing height	20 – 75 mm		
Recommended grass height	< 70 cm		
Hydraulic side movement	1105 mm		
Recommended min. pressure tractor hydraulic	16 Mpa / 160bar		
Max. reach to the right from middle of tractor	2005 mm	2205 mm	2405 mm
Max. reach from middle of tractor	1409 mm (in 90° position for hedge trimming)		
Verge mowing angle	-60° bis 90°		
Tractor 3-point-hitch	Cat I (Cat II bushings included)		
PTO shaft	540 RPM clockwise (1000 RPM optional)		
PTO shaft length (min.)	1500 mm		
Hydraulic pipe length	1800 / 2030 / 3080 / 3350 mm		
Work performance (approx.)	5400 - 10800 m ² /h	6200 - 12400 m ² /h	7000 - 14000 m ² /h
No. of belts / width	3 / 17 mm	3 / 17 mm	4 / 17 mm
Recommended tractor engine power	30-40 HP	40-55 HP	45-65 HP
Mower body thickness	4 mm		
Side wall thickness	6 mm		
Painting	powder coating		
Flail type	hammer		
No. of flails (seperately exchangeable)	24	24	28
Flail weight	800 g		
Rotor shaft RPM	2200		
Rotor shaft diameter / wall strength	108 mm / 8 mm		
Rear roller diameter / wall strength	133 mm / 4 mm		
Wooden transport box (LxWxH)	160 x 86 x 81 cm	180 x 86 x 81cm	180 x 86 x 81cm



	A(mm)	B(mm)	C(mm)	D(mm)	E(°)	F(°)	G(mm)	H(mm)	I(mm)
BCRM135	1715	683	900	2005	90	55	400	1409	420
BCRM155	1715	683	1100	2205	90	55	400	1409	420
BCRM175	1715	683	1300	2405	90	55	400	1409	420



ONLINE-SHOP FOR TRACTOR ATTACHMENTS

Flail Mower, Verge Mower, Power Sprayer, Boom Sprayer, Back Hoe and Snow Blades



Contact

Telefon: + 49 (0) 4188 4444 773
E-mail: info@bowell-tractor.com

V&B Europe GmbH
Am Flidderberg 74
D-21256 Handeloh - Germany